

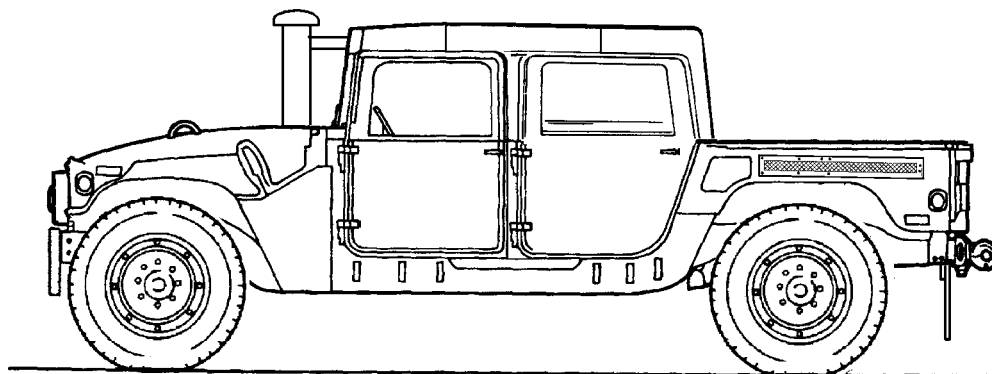
VEHICLE CHARACTERISTICS

USATACOM

NOMENCLATURE:

TRUCK, UTILITY: COMMAND AND CONTROL/GENERAL PURPOSE VEHICLE, 11,500 GVW, 4X4, M1165 BASE, W/AC (2320-01-540-1993); P/N 87T0147

DATE: November 2006
AMCTC NO.
STATUS: STD- A



DESIGNATIONS VEHICLE DATA

BRIDGE CLASSIFICATION
 Empty 2
 Loaded 5

PUBLICATIONS:
 Operator's Manual TM 9-2320-387-10

CURB WEIGHT, FULLY EQUIPPED:

	LESS PAYLOAD & CREW	GAWR	GVW
Front Axle	3450 Lbs.	5050 Lbs.	
Rear Axle	3100 Lbs.	7000 Lbs.	
Total	6550 Lbs.		11,500 Lbs.

PAYLOAD (including crew) 4950 Lbs.
TOWED LOAD ALLOWANCE 4200 Lbs.

SHIPPING DIMENSIONS:

Cubic Feet	724
Square Feet	116
Length	194.0 In.
Width	86.0 In.
Height	75.0 In.

CENTER OF GRAVITY (at curb weight):

Above Ground	29.8 In.
Rear of Centerline of Front Axle	61.3 In.

TRACK:

Front	71.6 In.
Rear	71.6 In.

REAR AXLE TO FRAME END 31.0 In.
REAR AXLE TO END OF PINTLE 39.0 In.
CARGO BED HEIGHT (at curb weight) 39.0 In.
MINIMUM GROUND CLEARANCE 16.5 In.
ANGLE OF APPROACH 46.5°
ANGLE OF DEPARTURE 40.0°
RAMP BREAKOVER ANGLE 25°

TURNING RADIUS (wall-to-wall):

Left	25 Ft.
Right	25 Ft.

FORDING DEPTH - 30 In. Standard and 60 In. with kit.

ENGINE - Type: General Engine Products Turbocharged Diesel, Liquid-Cooled; Displacement - 400 Cu In. (6.5 liter); Bore and Stroke - 4.06 In. x 3.82 In.; Compression Ratio 21.5:1; Fuel - No. 2 Diesel Above 20°F, No. 1 Diesel Below 20°F; Lubrication - Wet Sump; Crankcase Cap. - 8 Qts; Governor - Integral Built-In Injection Pump; Cooling System Cap. - 26 Qt; Water Pump Drive, Serpentine Belt; Horsepower - Max. Net, 190 @ 3400 rpm (with fan off); Torque - Max. Net, 380 Lb-Ft @ 1700 rpm.

FUEL SYSTEM - Dwg. No. 12446921-1; Fuel Tank Cap. - 25.0 Gals. (usable), Total - 25.5 Gals.; Fuel Pump - 1 Right Side Front Cylinder Block; Fuel Injection, Injection Pump; Stanadyne - Dwg. No. 10224039.

CLUTCH - None.

TRANSMISSION - Automatic - GM Hydramatic 4L80E; No. of Speeds: 4 Fwd., 1 Rev; Ratios: 1st - 2.48:1, 2nd - 1.48:1, 3rd - 1.0:1, 4th - 0.75:1, Rev - 2.08:1; Stall Ratio: 2.1:1; Lubricant Cap. - 13.5 Qts, Dry; 7.7 Qts, Drain and Refill.

DESIGNATIONS VEHICLE DATA

TRANSFER CASE - Dwg. No. 12447125; New Venture Gear 242; Number of Speeds - 2; Ratios: High - 1:1, Low - 2.72:1; Lubricant Cap. - 7 Pts.

DIFFERENTIALS - Front; Dwg. No. 12342615-1; Rear; Dwg. No. 12469309; Front and Rear - Hypoid; Ratios 3.08:1.

FRAME - Dwg. No. 12480900; Steel Box Section; Number of Cross-members - 5.

FRONT SUSPENSION - Dwg. No. 12446890-1; Independent Double A-Frame; Coil Spring; Rate - 1728 Lb/In.; Shock Absorbers - Telescopic.

REAR SUSPENSION - Dwg. No. 12446882-3; Independent Double A-Frame; Coil Spring; Rate - Variable; Shock Absorber - Telescopic.

GEARED HUB - Dwg. No. Front; LH 12446898-2, RH 12446898-1/ Rear; LH 12446898-3, RH 12446898-4 Spur - Ratios: 1.92:1; Lubricant Cap. - 1 Pt.

WHEELS - Dwg. No. Outer Rim 12460178/Inner Rim 12460177; Hayes Wheel; Type: Two-Piece Take Apart; Size - 16.5 x 8.25 x 6.5BC.

TIRES - Dwg. No. 12342644; Type: Radials - Non-Directional Cross-Country Tread; Size - 37x12.5R-16.5; Load Range - D; Spare - None.

SERVICE BRAKES - Dwg. No. 12469457-1; Type: Disc - Front and Rear; Dual Master Cylinder With Hydroboost; Rotor Size - 304.8-mm Dia; 22-mm Thick; Lining Area - 10.7 In.² (85.6 In.² Total).

PARKING BRAKES - Type: Dual Disc, Integral With Rear Service Brakes, Hand-Operated Lever.

ELECTRICAL SYSTEM - Wiring Diagram - Dwg. No. 12469299; Dual Voltage 14V/28V; Starting Motor - Dwg. No. 12339360; Alternator - Dwg. No. 12447109; Rating - 200 amps; Drive - Belt; Battery - MS52149-2; Type: 6TL; Qty. - 2.

PERFORMANCE - Mi. Per Gal. - 10.26 mpg; Cruising Range - 250 mi.; Maximum Speed - 70 mph; Gradeability - 40% for GCW of 15,700 Lbs.; Side Slope - 30% for GCW of 15,700 Lbs.; Vertical Step - 18 In.

WINCH - 10,500 Lb.; Front Mtd. Hydraulic (Optional).

PINTLE HOOK - Ord. Swivel MS51335-1, Max. Tongue Load 420 Lbs.

TIEDOWNS (CARGO) - Qty 8; 2500 Lb. Capacity (Each).

TRANSPORTABILITY - Modes = Highway, Rail, Marine, and Air.

ACCESSORY KITS - Dwg. No. 12340789.

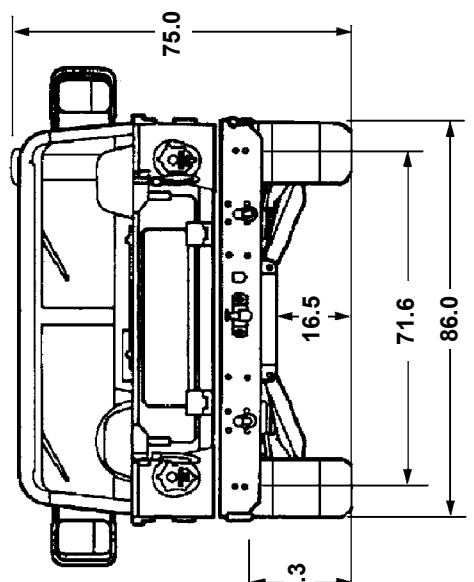
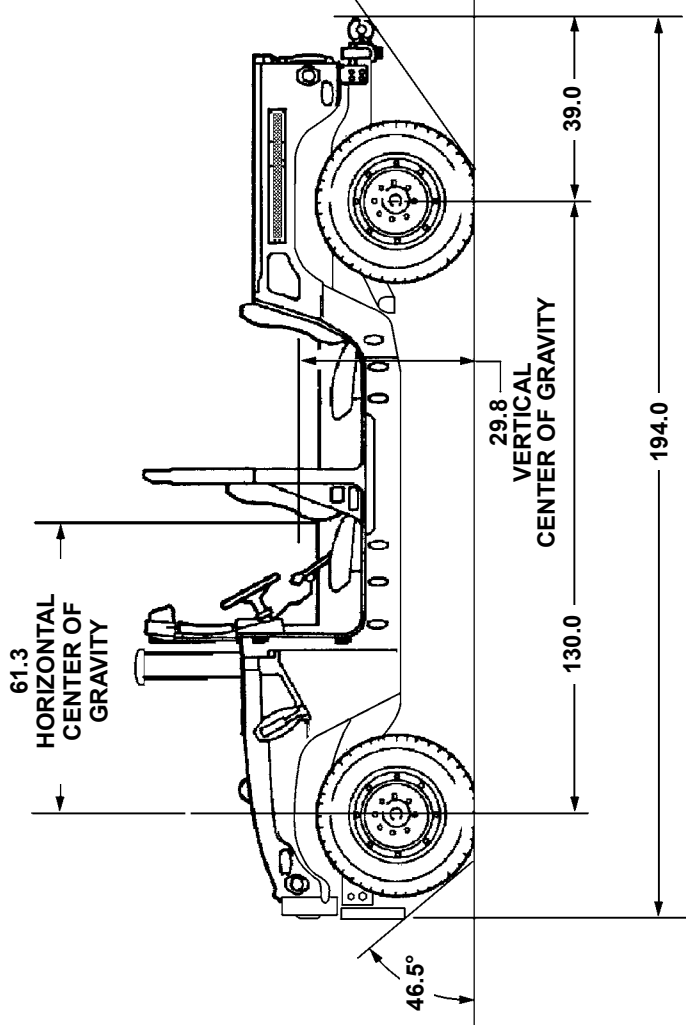
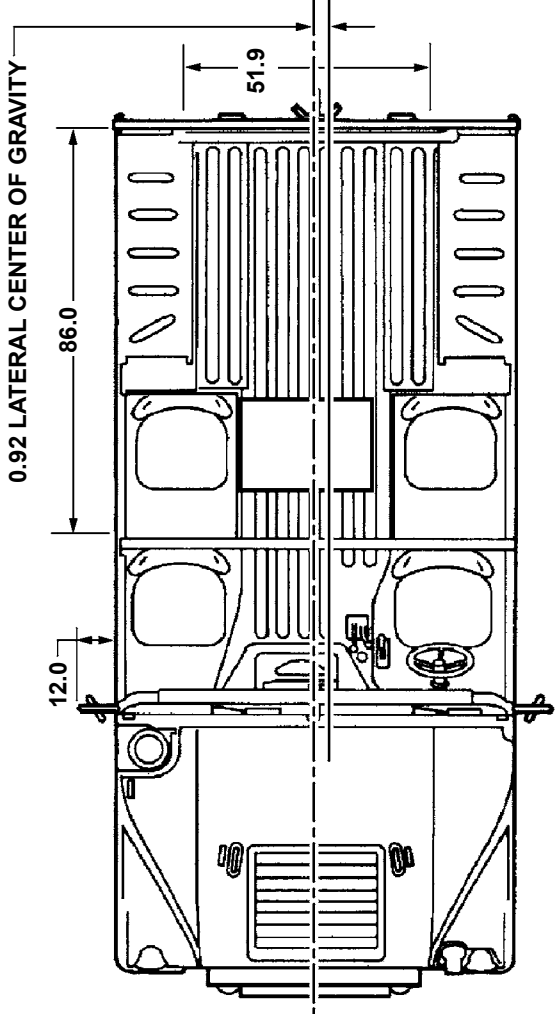
SPECIAL MISSION KITS - TBD.

BASIC ISSUE ITEMS DRAWING - Dwg. No. 12340532.

The data included on these sheets represents mean vehicle values and is intended to provide a general description of the vehicle. For detailed design information contact:

**U.S. ARMY TANK-AUTOMOTIVE AND
 ARMAMENTS COMMAND
 DSN 786-2406
 WARREN, MICHIGAN 48397-5000**

**M1165 BASE, W/AC, TRUCK
UTILITY: COMMAND AND
CONTROL/GENERAL PURPOSE VEHICLE**



- NOTES:**
- THESE DIMENSIONS ARE TAKEN AT CURB WEIGHT
 - MUDFLAPS FROM SIDE VIEW ARE OMITTED FOR CLARITY